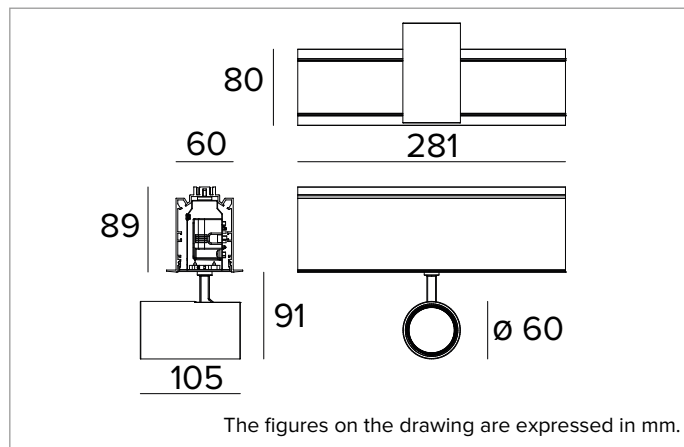


# 1T7259EL | LOGICO System - Recessed with flange - Projector module

## Linear module with adjustable professional LED projectors for recessed installation system with a flange



		3000K	H(m)	D(m)	E <sub>max</sub> (lx)
		Ra90		48°	
		Fixture Power	15W	1	0.88 2490
		Source Flux	1817lm	2	1.77 622
		Fixture Flux	1392lm	3	2.65 277
		Efficacy	92lm/W	4	3.53 156
TS1170	I <sub>max</sub> =1378cd/klm	I <sub>max</sub>	2504cd	5	4.41 100



### SOURCE

High efficiency Chip on Board LED Ra90.

**Energy efficiency class:** D

**Nominal power:** 1x14W

**Nominal flux:** 1817lm

**Colour rendering index:** 90

**Rf:** 92

**Rg:** 101

**CCT nominal:** 3000K

**Lifetime (L80/B10):** >50000h tq +25°C

### ILLUMINOTECHNICAL CHARACTERISTICS

Convex faceted highly reflective anodised aluminium precision optics with an opaque black silicone cut off ring.

**Beam angles:** MWFL

**Optical efficiency:** 77%

**Fixture flux:** 1392lm

**Luminous efficacy:** 92lm/W

**Photobiological safety:** Compliant with RG1 low risk group

### MECHANICAL CHARACTERISTICS

Painted extruded aluminium linear body. Projectors with a die-cast painted aluminium body. The optical unit can be adjusted from 0° a 90° on the vertical plane and 355° on the horizontal plane with the possibility to block the beam with a mechanical locking system on the horizontal plane and a friction locking system on the vertical plane.

**Colour and finish:** Plaster white

**Dimensions:** L=281mm

**Weight:** 1.9Kg

**Version:** 1xLABEL 6

**Degree of protection:** IP20

### ELECTRICAL CHARACTERISTICS

Integrated electronic ON-OFF power supply. Complete with electrical cables to guarantee feeding continuity (max 2kW).

**Fixture Power:** 15W

**Power supply:** 220-240Vac 50/60Hz

**Insulation Class:** CLASS 1

**Type of driver / Control:** ON-OFF

**Driver included:** YES

**Class F:** YES

**SAFE FLICKER:** PstLM=<1 and SVM=<0.4 (IEC TR 61547-1 and IEC TR 63158), to ensure a more comfortable and safe light

**Ambient temperature:** 0°C / +25°C

### INSTALLATION

For linear configurations complete with a special connector to attach to the power supply. To be completed with end caps.

### NOTES

The arm is always supplied in the same colour as the body of the projector. 110-277Vac version available on request.

### WARRANTY

5 years.

### WARNING

Luminaire designed for disposal/recycling at end-of-life. Replaceable (LED only) light source by a professional. Replaceable control gear by a professional.

Due to the technological evolution of the electronic components, the data provided may be updated, and as such, confirmation must be requested during the order process.

Luminous flux and power supply have +/-10% tolerances with respect to the indicated value. tq +25°C (CIE 121).

We reserve the right to make technical changes.

Targetti Sankey S.r.l.  
Via Pratese, 164  
50145 Firenze - Italy  
Tel: +39 055 37911  
targetti.com  
targetti@targetti.com

CCIAA Firenze  
Share Capital:  
€ 500.000,00  
VAT N. (IT):  
01537660480  
R.E.A.: FI-275656

**TARGETTI**

## 1T7259EL | LOGICO System - Recessed with flange - Projector module

Linear module with adjustable professional LED projectors for recessed installation system with a flange

### Related codes

#### End Caps



Code

**1T5908**

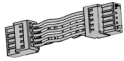
End caps for the recessed version with a flange.

White.

2x

### Accessories

#### Electrical Connector



Code

**1T5911**

Linear electrical connector.

EL/DALI.

Due to the technological evolution of the electronic components, the data provided may be updated, and as such, confirmation must be requested during the order process.

Luminous flux and power supply have +/-10% tolerances with respect to the indicated value. tq +25°C (CIE 121).

We reserve the right to make technical changes.

Targetti Sankey S.r.l.  
Via Pratese, 164  
50145 Firenze - Italy  
Tel: +39 055 37911  
targetti.com  
targetti@targetti.com

CCIAA Firenze  
Share Capital:  
€ 500.000,00  
VAT N. (IT):  
01537660480  
R.E.A: FI-275656

# TARGETTI